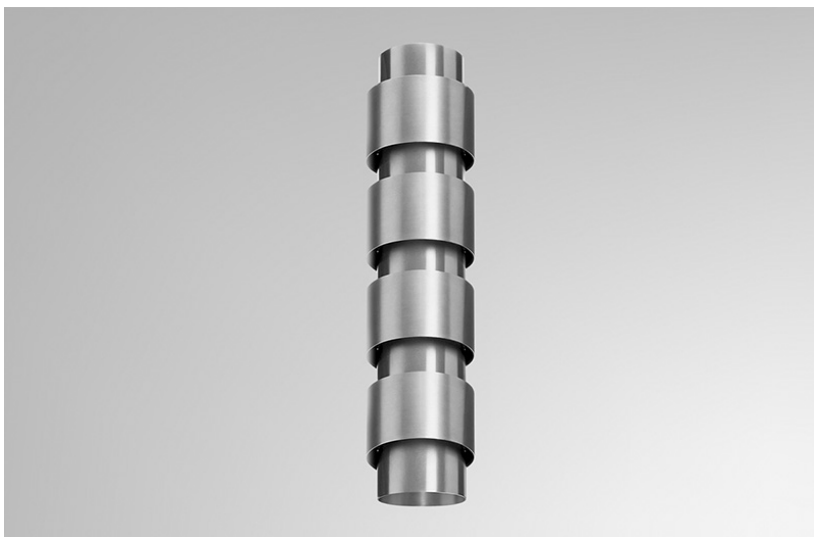


Sconce 07976



Large wall mounted sconce with structure in metal in a choice of three finishes in concentric rings. UL listed halogen lamping. Also available to order in small size.

Fabric:

Dimension: 4.75"W x 5"D x 21.25"H

Material: Metal structure

Finish: Satin brass, satin nickel, or bronze

LEAD-TIMES/PAYMENT TERMS

Because all items in usona's collection are made to order in our European factories, general lead-times are about 14 to 18 weeks (based on standard production schedules). We simply require a 50% deposit to place an order and final balance is due before items ship.

SHIPPING

Because we ship directly from our European manufacturers, usona can arrange for freight to any location on the globe. Depending on location, white glove delivery and install service can also be arranged upon client's request.